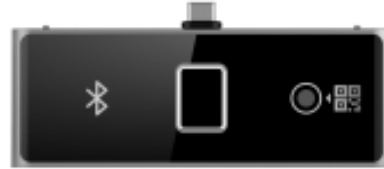


**DS-KAB673-FBQR  
Peripheral Module**

The peripheral module should be applied with DS-K1T673 series face recognition terminal, which supports fingerprint, bluetooth and QR Code function.

- Supports fingerprint, bluetooth and QR Code function

## ▪ Specification

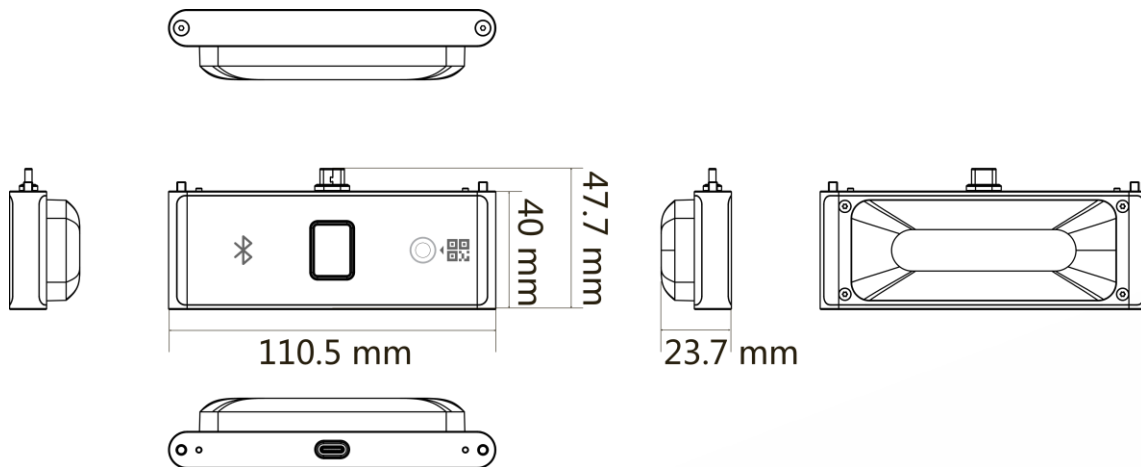
General	
Working temperature	-30 °C to 60 °C (-22 °C to 140 °F)
Working humidity	0 to 90% (no condensing)
Dimensions	110.5 mm × 23.7 mm × 47.7 mm (4.35" × 0.93" × 1.88")
Function	
Barcode recognition	Support Format: Code 128, Interleaved 2 of 5, Matrix 2 of 5 , Code 39, Codebar, Code 9 and UCC/EAN-128
QR code recognition	Support
Bluetooth	Support
Fingerprint Recognition	Support

## ▪ Available Model

DS-KAB673-FBQR

DS-KAB673-FBQR(USA-NEU)

## ▪ Dimension



## ▪ Accessory



DS-K1T673TDX



DS-K1T673TDWX-BR



DS-K1T673DWX



DS-K1T673DX-BR



DS-K1T673TDX-T



DS-K1T673TDX-BR#



DS-K1T673TDWX



DS-K1T673DX



DS-K1T673TDGX



DS-K1T673DX-BR#BRA



DS-K1T673TDWX-BR#BRA



DS-K1T673TDX-E



DS-K1T673DX-G1

# See Far, Go Further



[www.hikvision.com](http://www.hikvision.com)  
[support@hikvision.com](mailto:support@hikvision.com)

