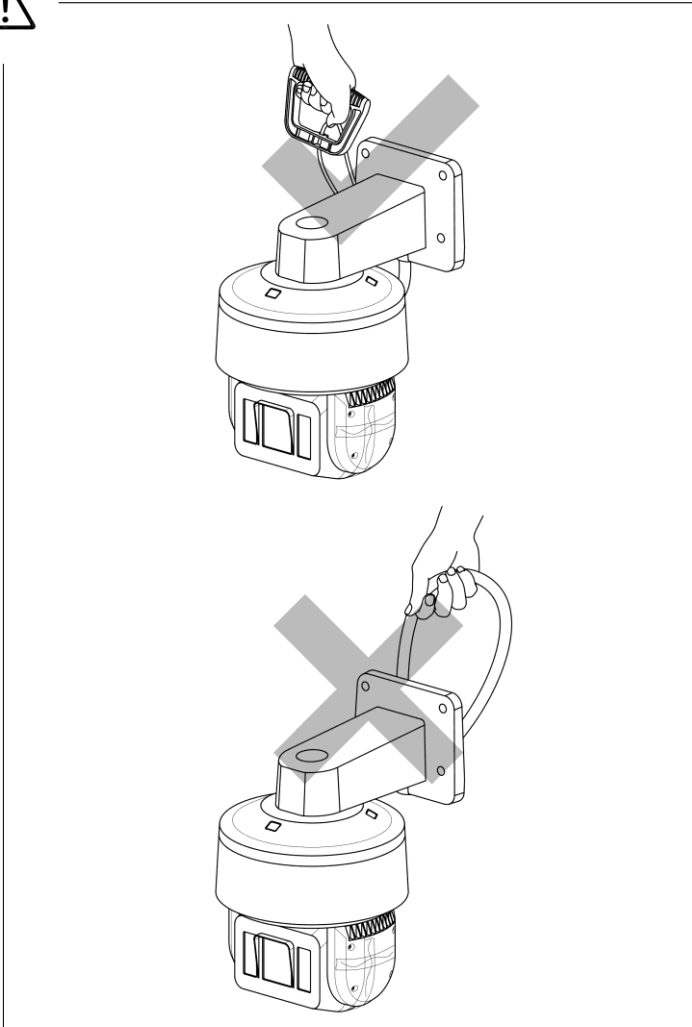
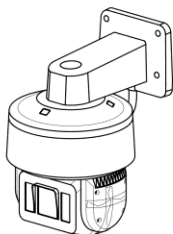




Network Speed Dome

Quick Start Guide

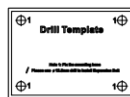




1x



1x



1x



3x

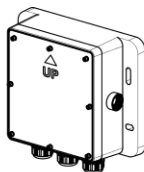


1x



M8x105

1x



1x



1x



M8x105

1x



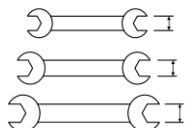
3x



3x



1x



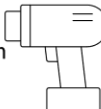
14mm

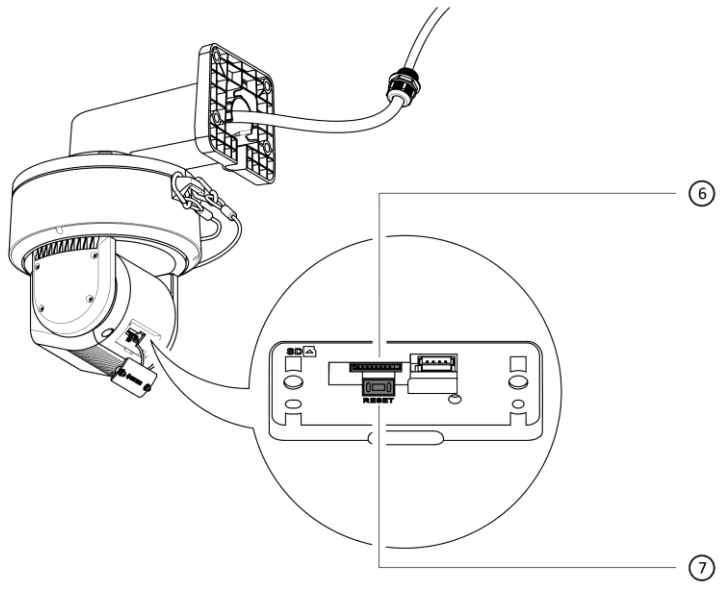
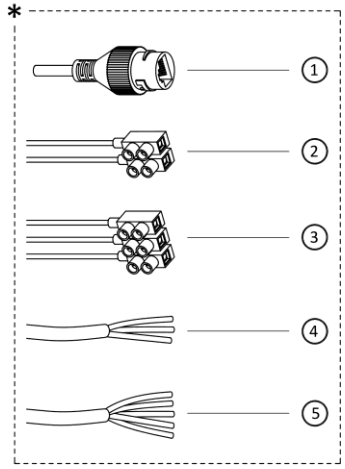
28mm

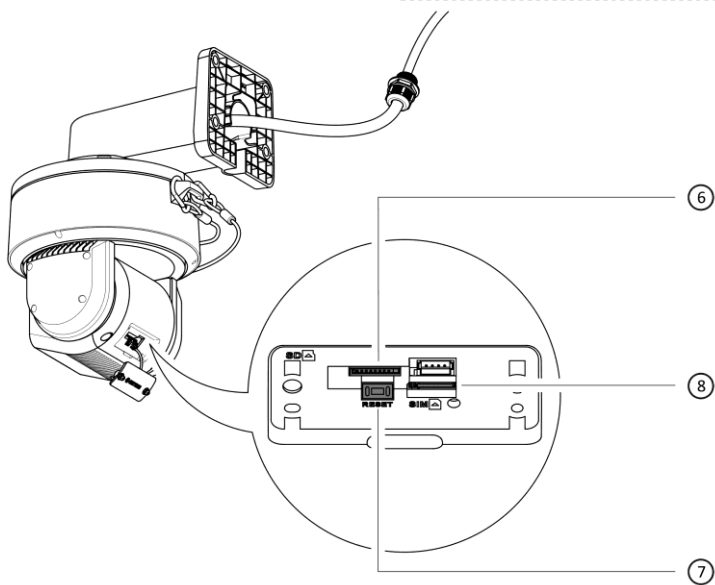
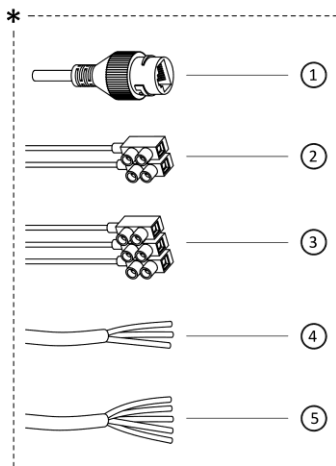
32mm



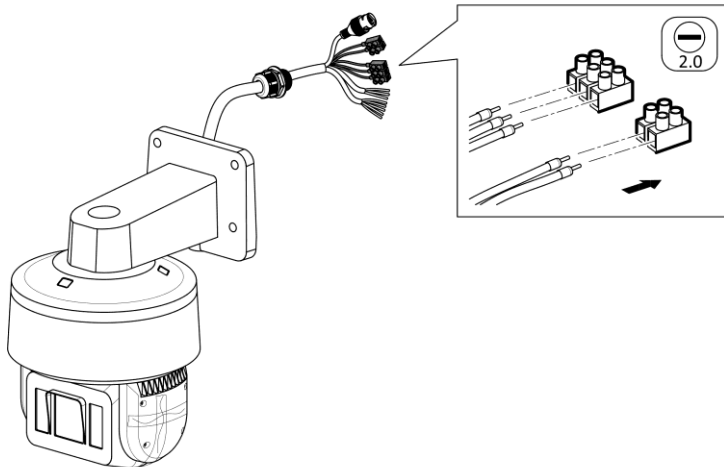
Ø12.5mm



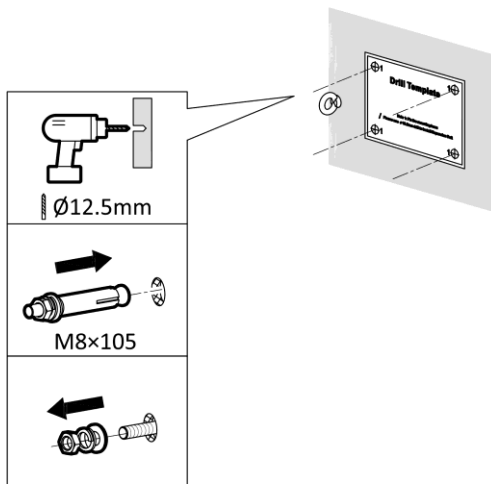




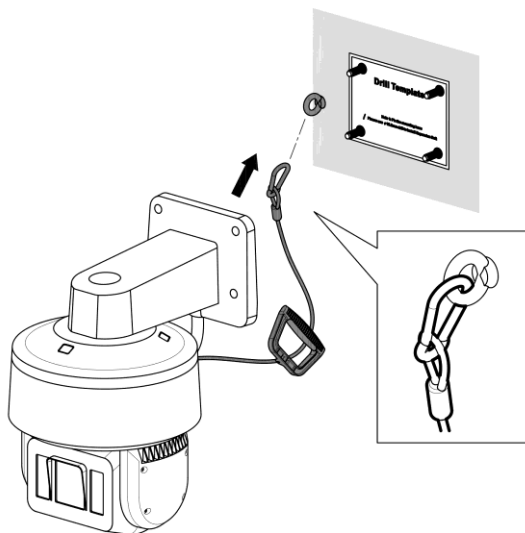
1.1



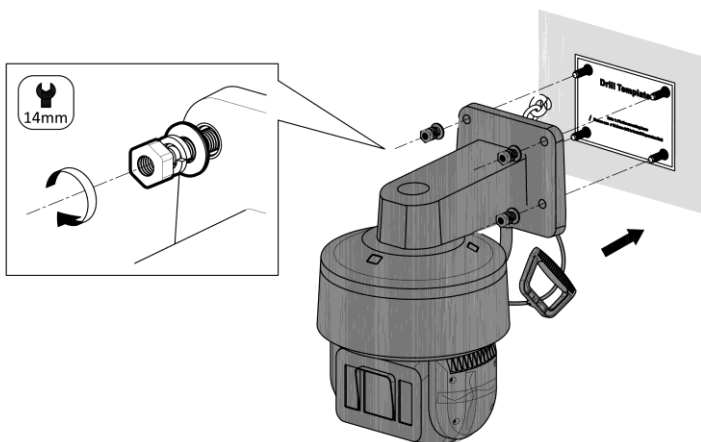
1.2



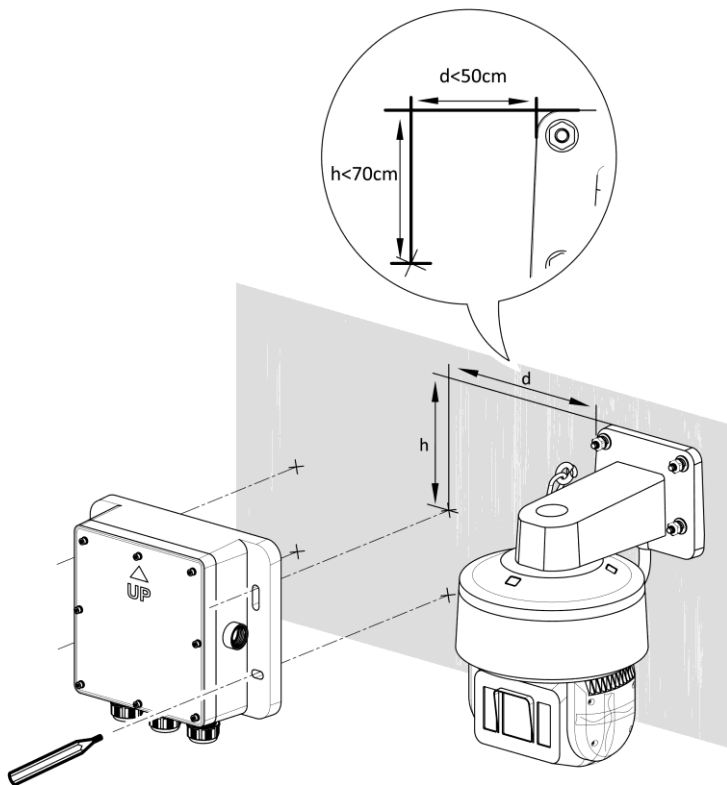
1.3



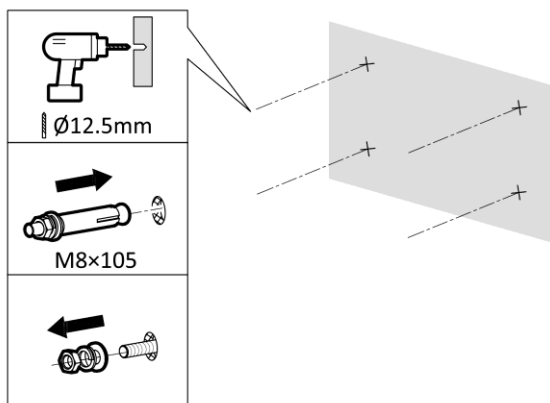
1.4



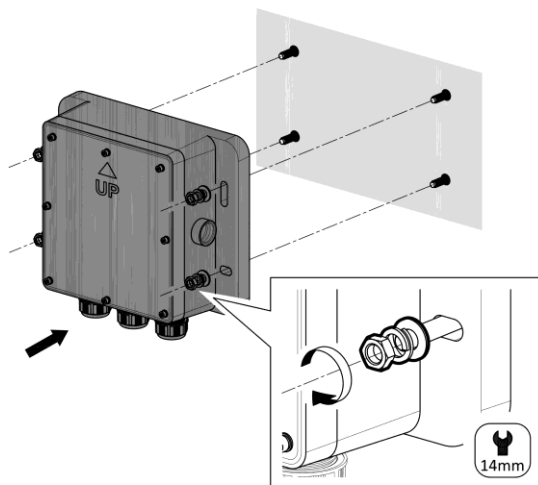
2.1



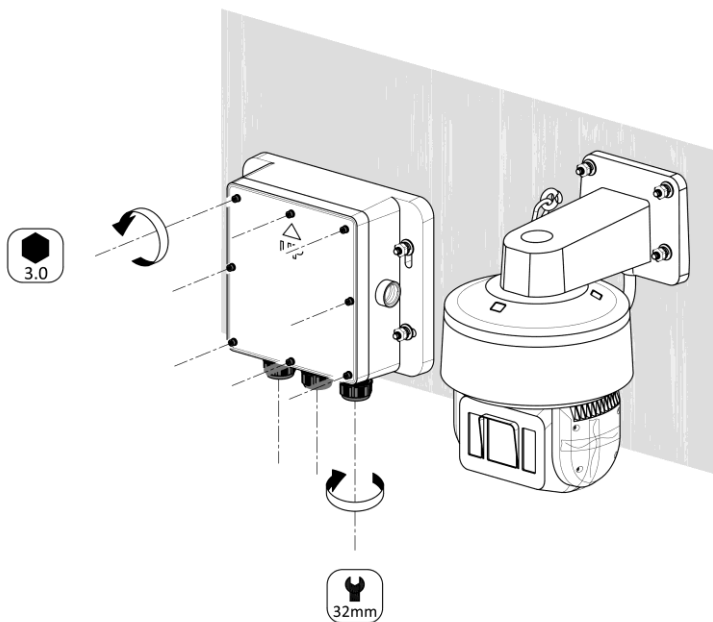
2.2



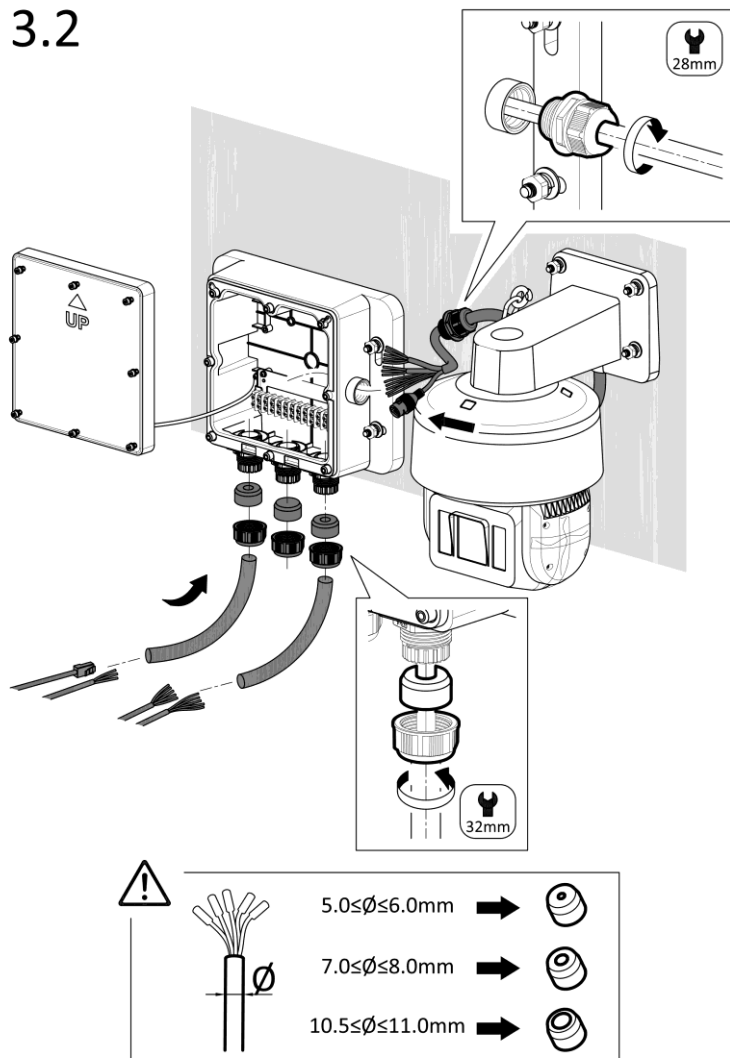
2.3



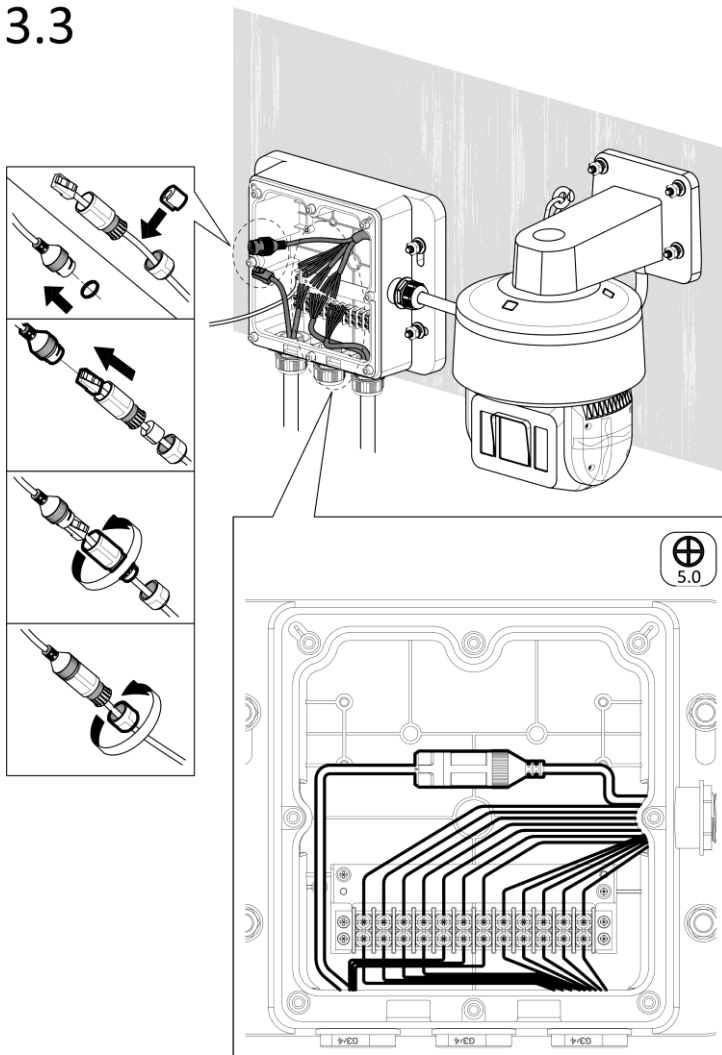
3.1



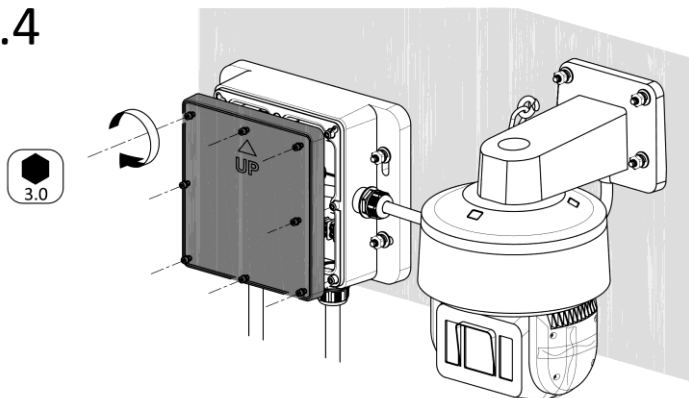
3.2



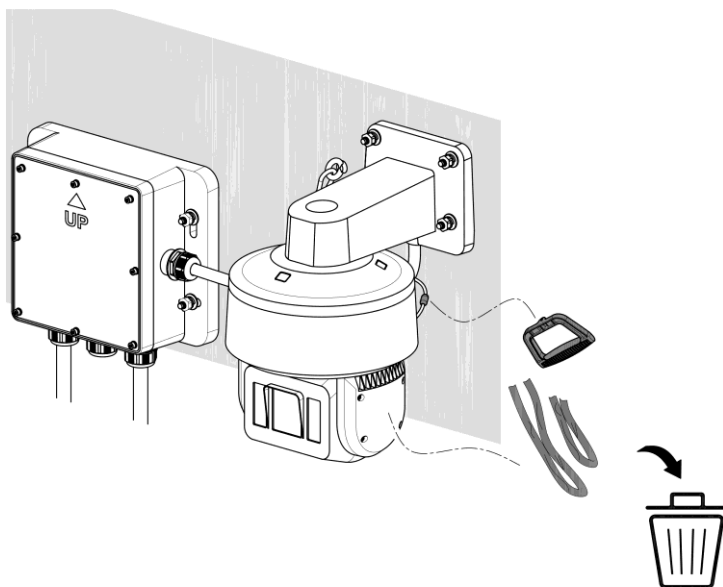
3.3

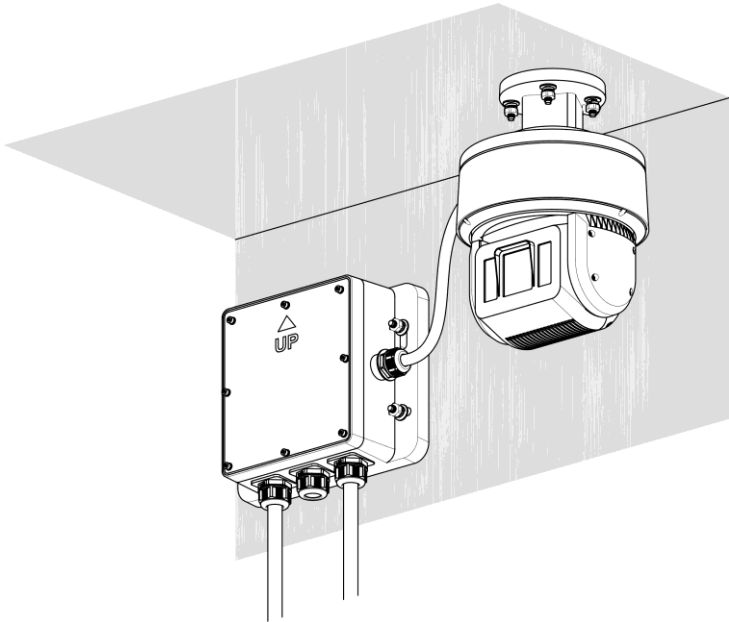


3.4

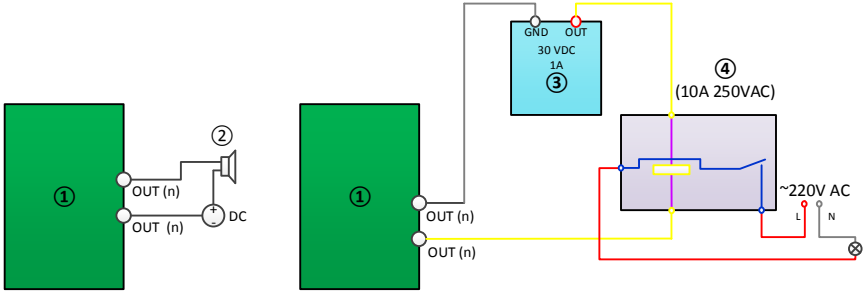


3.5





Alarm Output



- ① Relay output
- ② DC load
- ③ Power supply
- ④ JQC-3FG relay



Protective Measures for Outdoor Installation



Activate and Access Network Camera



Product appearance is for reference only and may differ from the actual product.

Interface (Page 3 to 4)

- ① Network interface
- ② RS-485
- ③ Power
- ④ Audio interface
- ⑤ Alarm interface
- ⑥ MicroSD card
- ⑦ Reset
- ⑧ SIM card slot

Note: The interface varies with the models. Please refer to the product datasheet for details.



Caution

Illuminator

Make sure that there is no reflective surface too close to the device lens. The light from the device may reflect back into the lens causing reflection.

The beam of the light at the distance of 200 mm is classified as Risk Group 1 (RG1) of retinal blue light hazard. The minimum safe distance is approximately 0.3 m away from the device.

Possible hazardous optical radiation emitted from this product. IR emitted from this product. DO NOT stare at operating light source. May be harmful to the eyes.

If appropriate shielding or eye protection is not available, turn on the light only at a safe distance or in the area that is not directly exposed to the light.

When assembling, installing or maintaining the device, DO NOT turn on the light, or wear eye protection.



See Far, Go Further